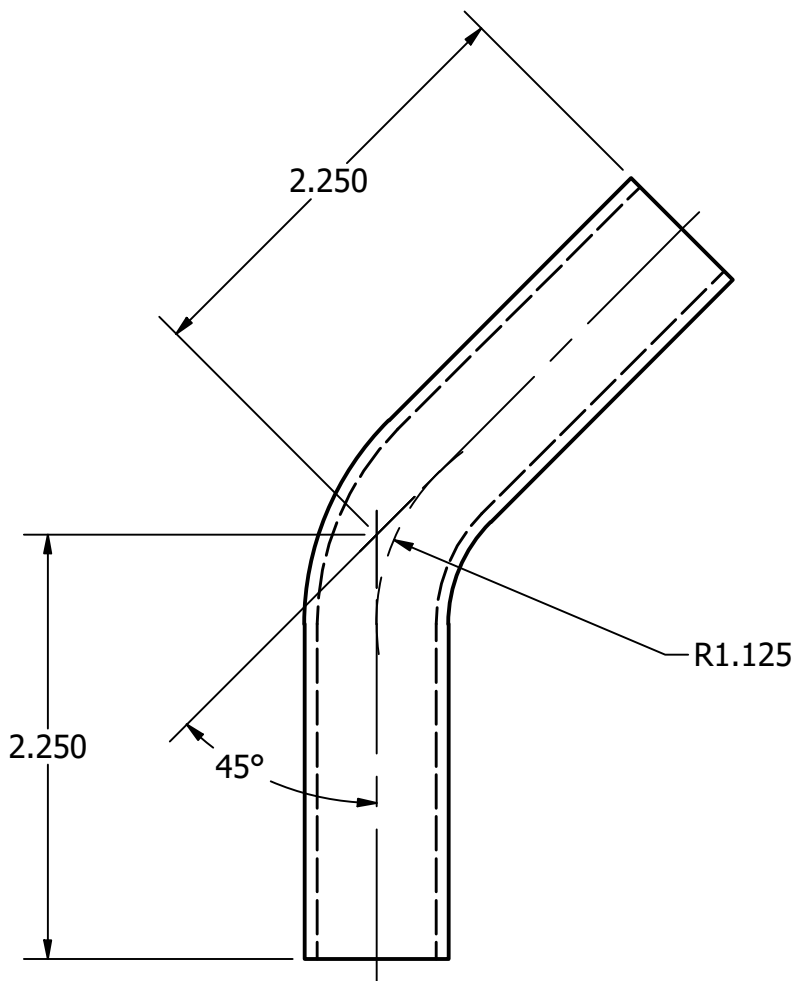


2

1

B

B



A

A

MACHINING TOLERANCES		DRAWN R. Canell 9/9/2014		Steel & O'Brien Mfg. Inc.	
DECIMALS: .XX ±.015 .XXX ±.005 ANGLES: 1°		UNLESS OTHERWISE NOTED AND FOR WELDED PARTS >PART TO CONFORM TO THE LATEST ASME-BPE SPECIFICATION FOR TOLERANCES, MATERIAL AND MARKING			
MAT'L: 316				DWG NO: S2KS-.75	
		SCALE: 1 : 1		SHEET 1 OF 1	

2



1