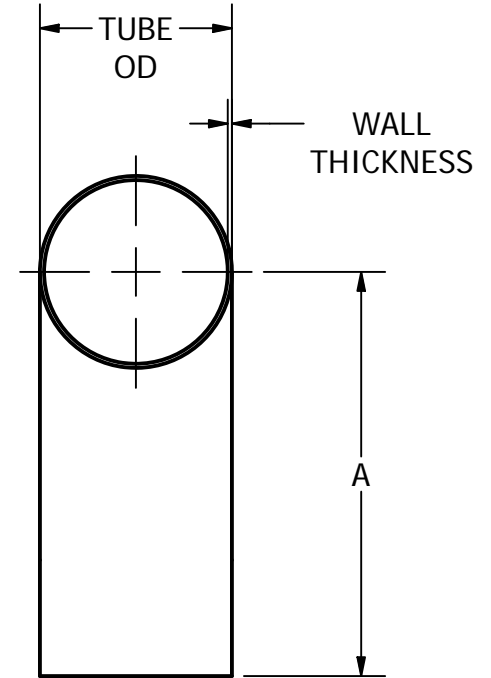
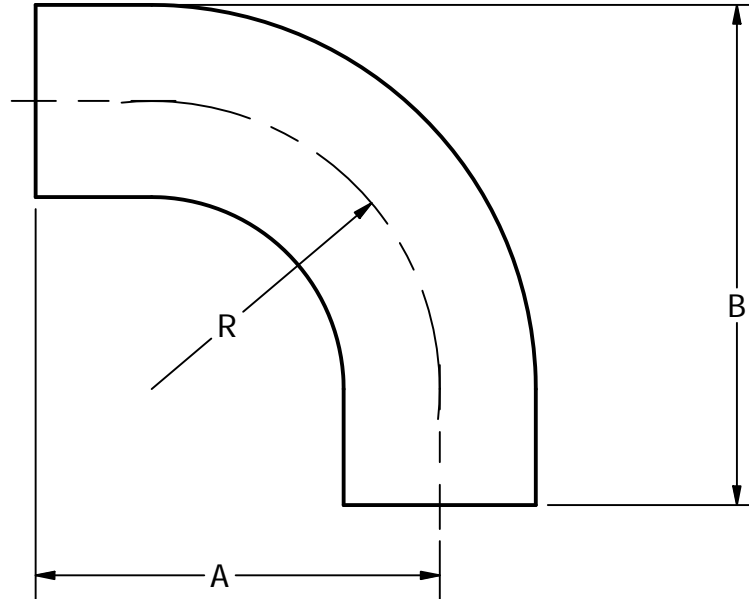


Part Number	OD SIZE	WALL	A	B	R
L2S-.50	0.500 in	0.065 in	3.000 in	3.250 in	0.750 in
L2S-.50L	0.500 in	0.065 in	3.000 in	3.250 in	1.125 in
L2S-.75	0.750 in	0.065 in	3.000 in	3.375 in	1.125 in
L2S-1	1.000 in	0.065 in	2.063 in	2.563 in	1.500 in
L2S-15	1.500 in	0.065 in	2.938 in	3.688 in	2.250 in
L2S-2	2.000 in	0.065 in	4.063 in	5.063 in	3.000 in
L2S-25	2.500 in	0.065 in	5.188 in	6.438 in	3.750 in
L2S-3	3.000 in	0.065 in	6.313 in	7.813 in	4.500 in
L2S-4	4.000 in	0.083 in	8.313 in	10.313 in	6.000 in
L2S-6	6.000 in	0.109 in	11.000 in	14.000 in	9.000 in
L2S-8	8.000 in	0.109 in	15.000 in	18.000 in	12.000 in



TOLERANCES REFER TO STEEL & O'BRIEN DOCUMENT # QS121	Steel & O'Brien Mfg. Inc.	
	TITLE L2S - 90 DEG. BUTTWELD ELBOW, LONG	
	DWG NO: L2S	REV 0
	SCALE: 1 : 3	SHEET 1 OF 1