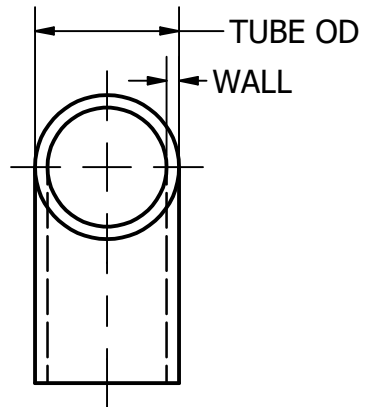
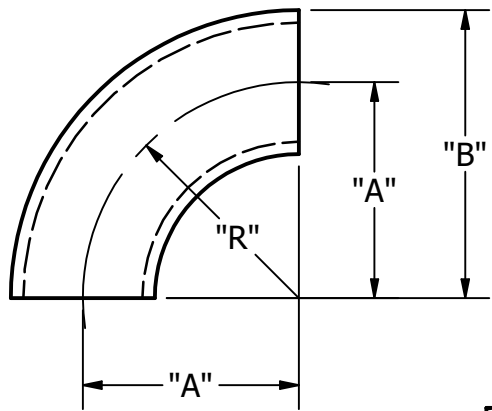


Part Number	OD SIZE	Wall	A	B	R
2WCL-.50	0.500 in	0.065 in	0.750 in	1.000 in	.750 in
2WCL-.50L	0.500 in	0.065 in	1.125 in	1.375 in	1.125 in
2WCL-.75	0.750 in	0.065 in	1.125 in	1.500 in	1.125 in
2WCL-1	1.000 in	0.065 in	1.500 in	2.000 in	1.500 in
2WCL-1.25	1.250 in	0.065 in	1.875 in	2.500 in	1.875 in
2WCL-1.5	1.500 in	0.065 in	2.250 in	3.000 in	2.250 in
2WCL-2	2.000 in	0.065 in	3.000 in	4.000 in	3.000 in
2WCL-3	3.000 in	0.065 in	4.500 in	6.000 in	4.500 in
2WCL-4	4.000 in	0.083 in	6.000 in	8.000 in	6.000 in
2WCL-5	5.000 in	0.083 in	7.500 in	10.000 in	7.500 in
2WCL-6	6.000 in	0.109 in	9.000 in	12.000 in	9.000 in
2WCL-8	8.000 in	0.109 in	12.000 in	16.000 in	12.000 in
2WCL-10	10.000 in	0.109 in	15.000 in	20.000 in	15.000 in
2WCL-12	12.000 in	0.109 in	18.000 in	24.000 in	18.000 in



TOLERANCES REFER TO STEEL & O'BRIEN DOCUMENT # QS121	Steel & O'Brien Mfg. Inc.	
	TITLE 2WCL - 90 DEG. BUTT WELD ELBOW, SHORT	
	DWG NO: 2WCL	REV 0
	SCALE: 1.5 : 1	SHEET 1 OF 1

