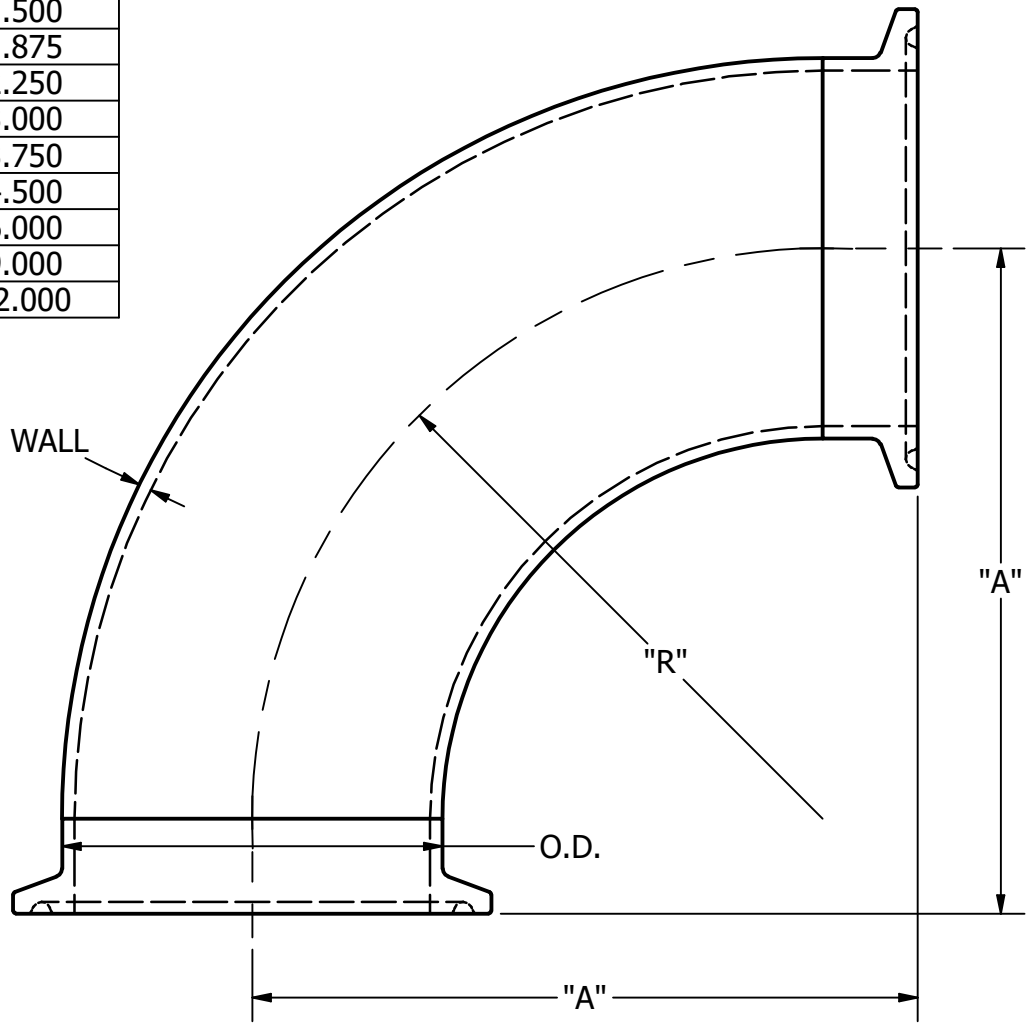


PART #	O.D.	WALL	A	R
2CMP-.50	.500	.065	1.250	.750
2CMP-.75	.750	.065	1.625	1.125
2CMP-1	1.000	.065	2.000	1.500
2CMP-1.25	1.250	.065	2.375	1.875
2CMP-1.5	1.500	.065	2.750	2.250
2CMP-2	2.000	.065	3.500	3.000
2CMP-2.5	2.500	.065	4.250	3.750
2CMP-3	3.000	.065	5.000	4.500
2CMP-4	4.000	.083	6.625	6.000
2CMP-6	6.000	.109	9.750	9.000
2CMP-8	8.000	.109	12.875	12.000



TOLERANCES REFER TO STEEL & O'BRIEN DOCUMENT # QS121	Steel & O'Brien Mfg. Inc.	
	TITLE 2CMP - 90 DEG CLAMP ELBOW ASSEMBLY	
	DWG NO: 2CMP	REV
	SCALE: 1 : 1	SHEET 1 OF 1

PART#	O.D.	WALL	A	R
2CMP-50	.500	.065	1.250	.750
2CMP-75	.750	.065	1.625	1.125
2CMP-1	1.000	.065	2.000	1.500
2CMP-1.25	1.250	.065	2.375	1.875
2CMP-1.5	1.500	.065	2.750	2.250
2CMP-2	2.000	.065	3.500	3.000
2CMP-2.5	2.500	.065	4.250	3.750
2CMP-3	3.000	.065	5.000	4.500
2CMP-4	4.000	.083	6.625	6.000
2CMP-6	6.000	.109	9.750	9.000
2CMP-8	8.000	.109	12.875	12.000