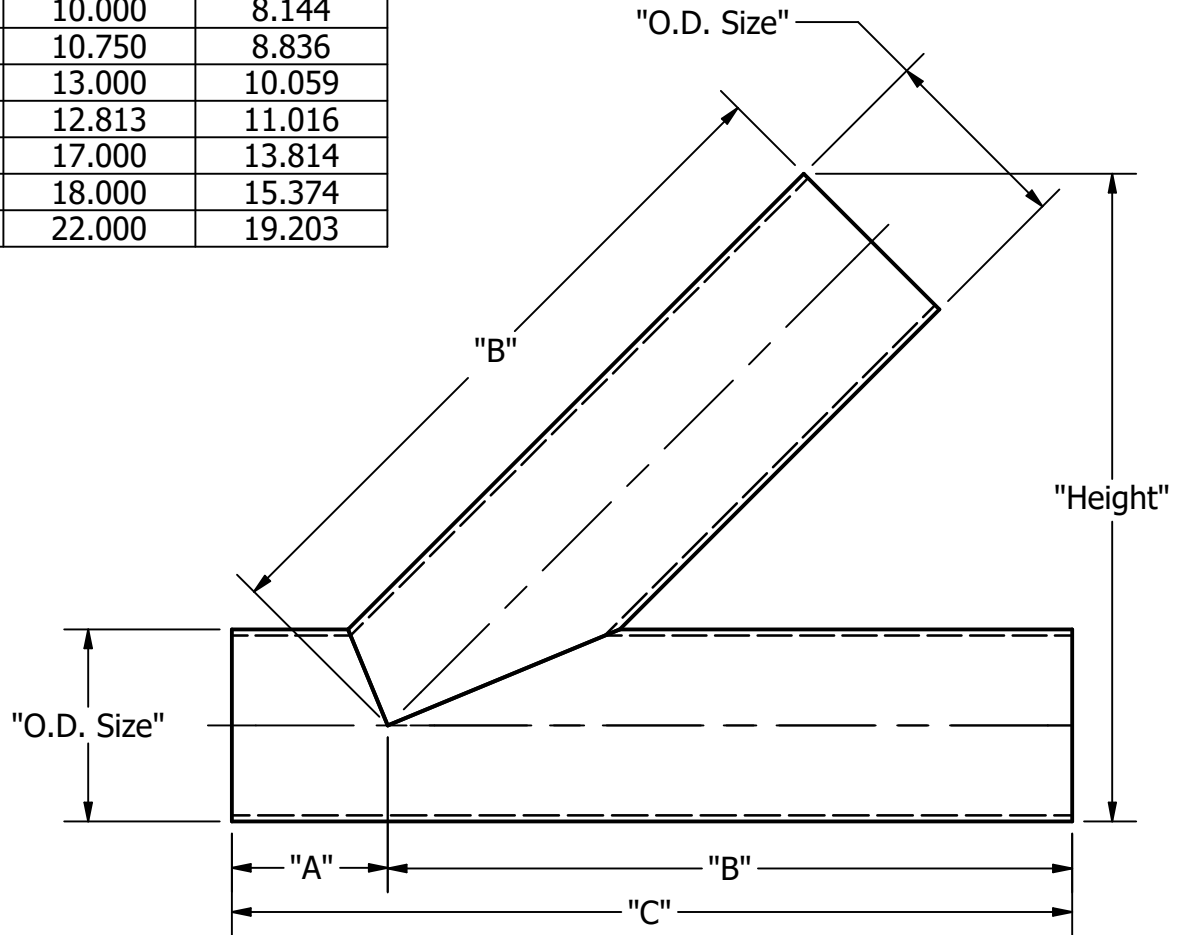


Part No.	"O.D. Size"	"A"	"B"	"C"	"Height"
28WA-.50	1/2"	1.000	5.000	6.000	3.962
28WA-.75	3/4"	1.000	5.000	6.000	4.176
28WA-1	1"	1.000	5.000	6.000	4.389
28WA-15	1 1/2"	1.188	6.188	7.375	5.656
28WA-2	2"	1.625	7.125	8.750	6.745
28WA-25	2 1/2"	1.500	8.500	10.000	8.144
28WA-3	3"	1.875	8.875	10.750	8.836
28WA-35	3 1/2"	3.000	10.000	13.000	10.059
28WA-4	4"	2.063	10.750	12.813	11.016
28WA-5	5"	3.500	13.500	17.000	13.814
28WA-6	6"	3.500	14.500	18.000	15.374
28WA-8	8"	4.500	17.500	22.000	19.203



TOLERANCES		Steel & O'Brien Mfg. Inc.	
REFER TO STEEL & O'BRIEN DOCUMENT # QS121		TITLE	
		BW LATERAL WYE	
		DWG NO: 28WA	REV 1
SCALE: NTS		SHEET 1 OF 1	

REVISION HISTORY		
REV	DESCRIPTION	DATE
1	10.750 WAS 10.787	9/17/13