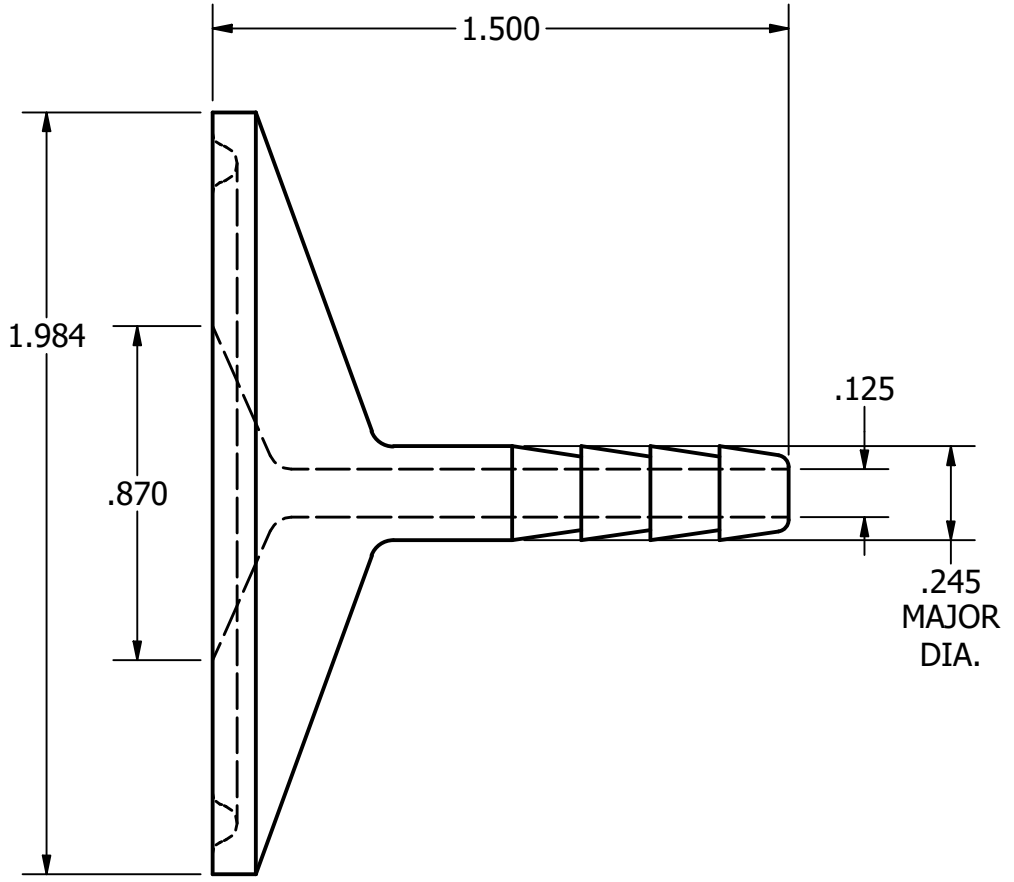


2

1

B

B



A

A

A

A

2

1

TOLERANCES		DRAWN Engineering		<b>Steel &amp; O'Brien Mfg. Inc.</b>	
		12/29/2016			
DECIMALS: .XX ±.015 .XXX ±.005 .XXXX ±.0005 ANGLES: 1°		ALL EDGES AND FILLETS .015 R UNLESS OTHERWISE SPECIFIED		TITLE 1.00 TC X .188 BARB 14MPHR x 1.500 OAL	
				DWG NO: <b>14MPHR-1X.188_Customer</b>	
				SCALE: 2 : 1	
				SHEET 1 OF 1	
				REV	