

2

1

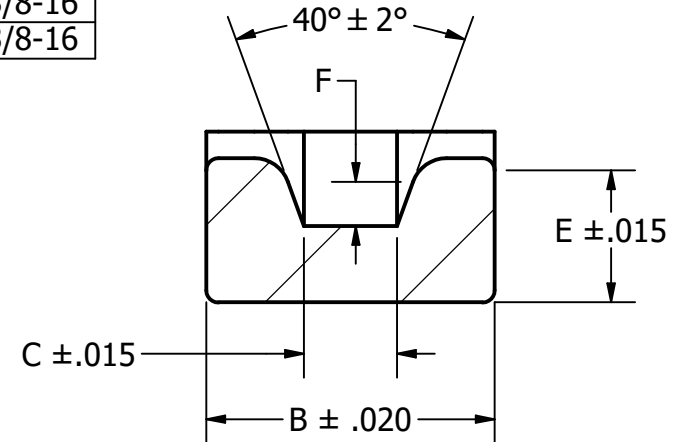
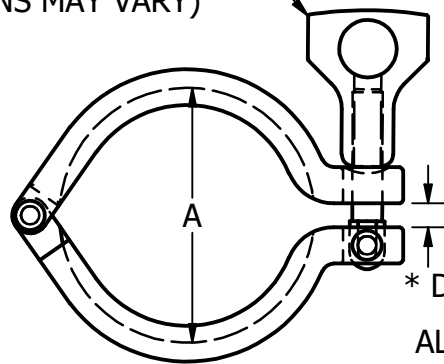
## 13MHHM - Single Pin Clamp

\*FOR GENERAL INFORMATION PURPOSES ONLY  
ACTUAL APPEARANCE MAY VARY.

Size	Size	A	B	C	D	E	F	Thread
13MHHM-.50	1/2" & 3/4"	1.125 +/- .010	.750	.242			.172 +/- .010	5/16-18
13MHHM-1-A	1" TYPE "A"	1.481 +/- .010	.750	.242		.375	.172 +/- .010	5/16-18
13MHHM-1	1" & 1 1/2"	2.122 +/- .010	.750	.242	.250	.375	.172 +/- .010	5/16-18
13MHHM-2	2"	2.654 +/- .010	.750	.242	.250	.375	.172 +/- .010	5/16-18
13MHHM-2.5	2 1/2"	3.185 +/- .010	.750	.242	.250	.375	.172 +/- .010	5/16-18
13MHHM-3	3"	3.717 +/- .010	.750	.242	.375	.375	.172 +/- .010	5/16-18
13MHHM-4	4"	4.820 +/- .010	.750	.242	.375	.375	.172 +/- .010	5/16-18
13MHHM-5	5"	5.820 +/- .010	.750	.242		.375	.172 +/- .010	5/16-18
13MHHM-6	6"	6.695 +/- .020	1.000	.449		.470	.286 +/- .020	5/16-18
13MHHM-8	8"	8.695 +/- .020	1.000	.449		.470	.286 +/- .020	5/16-18
13MHHM-10	10"	10.695 +/- .020	1.000	.449		.525	.286 +/- .020	3/8-16
13MHHM-12	12"	12.695 +/- .020	1.250	.465		.750	.286 +/- .020	3/8-16

Size	PSI	
	@ 70°F	@ 250°F
1/2" & 3/4"	1500	1200
1" TYPE A	500	300
1" & 1 1/2"	500	300
2"	450	300
2 1/2"	400	200
3"	350	195
4"	300	150
5"	150	75
6"	150	75
8"	100	50
10"	75	40
12"	50	25

WINGNUT WITH HOLE  
(DESIGN AS SHOWN)  
(DIMENSIONS MAY VARY)



ALL DIMENSIONS IN INCHES

\* - ALL DIMENSIONS CHECKED FROM THIS  
DIMENSION

## REVISION HISTORY

REV	DESCRIPTION	DATE
1	Added Type "A" Clamp Size	11/7/13
2	Added "D" Clamp Spacing	8/19/14
3	Added Thread	11/12/14
3	Added F Depth	11/12/14
3	Added E Thickness	11/12/14

## TOLERANCES

REFER TO  
STEEL & O'BRIEN  
DOCUMENT # QS121

## Steel &amp; O'Brien Mfg. Inc.

TITLE

13MHHM - SINGLE PIN CLAMP

DWG NO: **13MHHM**REV  
3

SCALE: NTS

SHEET 1 OF 1

2

1